

# LUBRICATION

## ORDER

6 OCTOBER 1967 (supersedes LO5-3431-205-15, 14 Aug 1963 LO5-3431-214-15, 5 Jan 1964. LO5-3431-215-15, 12 Mar 1965)

# LO5-3431-205-12

### WELDING MACHINE, ARC: GENERATOR; ENGINE DRIVEN; 300 AMP. (LIBBY MODEL LE-300) (LIBBY MODEL LEW-300) (LIBBY MODEL LEB-300) W/CONTINENTAL ENGINE MODEL FS244

Reference C9100-IL

Intervals are based on normal hours of operation. Adjust to compensate for abnormal operation and severe conditions. During inactive periods sufficient lubrication must be performed for adequate preservation.

Relubricate after washing

Clean fittings before lubricating.

Clean parts with SOLVENT, dry-cleaning, or with OIL, fuel, Diesel. Dry before lubricating.

Grain crankcase when hot. Fill and check level.

FOLD

FOLD

LUBRICANT • INTERVAL

INTERVAL • LUBRICANT

Engine Accessory Generator (Sealed bearings, no lubrication required)

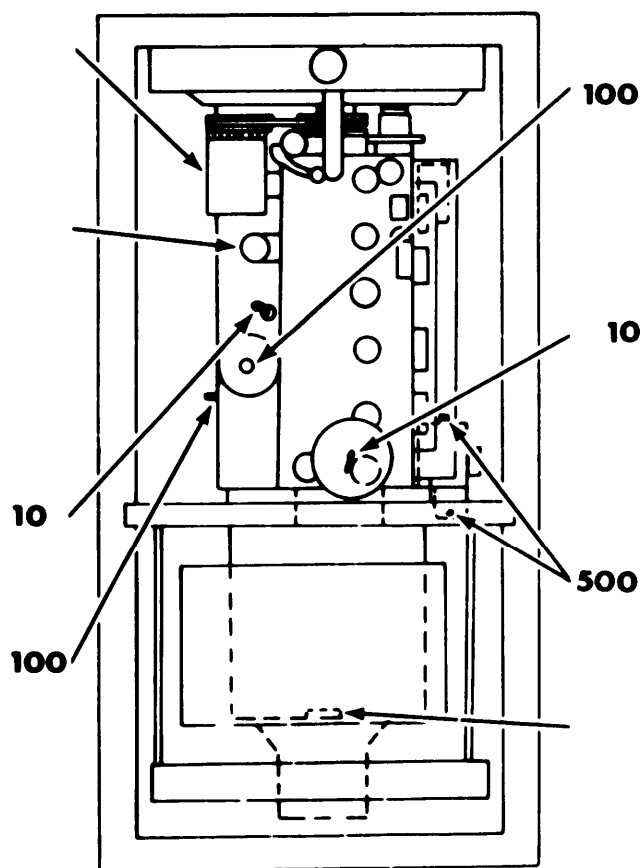
Engine Oil Filler Cap (See key.)

CAUTION: When OES oil is used, the level will be checked more often.

Engine Oil Level Gage (Check Level.)

Engine Oil Drain Plug (Drain and refill)

OE



100

Oil Filter (Disassemble, clean housing, renew element and reassemble) (See note 2)

10

OE

Air Cleaner (Refill oil reservoir to level mark; every 50 hours, disassemble entire unit, clean, re-oil and reassemble) (See key)

500

OE

Starting Motor (Sparingly) (Remove to lubricate)

Main Generator (Sealed bearings, no lubrication required)

— KEY —

LUBRICANTS	CAPACITY	EXPECTED TEMPERATURES			INTERVALS
		Above + 32°F	+40°F to -10°F	0°F to -65°F	
<b>OE</b> -OIL, Engine, Heavy Duty		OE 30	OE-10	OES	Intervals given are in hours of normal operation.
Crankcase	6 qt				
Air Cleaner	½ qt				
Oil Can Points					
<b>OES</b> -OIL, Engine, Subzero					

NOTES

1 FOR OPERATION OF EQUIPMENT IN PROTRACTED COLD TEMPERATURES BELOW -10 F°. Remove lubricants prescribed in the key for temperatures above 10 F°. Relubricate with lubricants specified in the key for temperatures below -10°F.

2. OIL FILTERS. Every 100 hours, remove filter elements clean housings, Install new elemnets, fill crankcase operate engine 5 minutes, check for leaks, check crankcase oil level and bring to full mark.

3. OIL CAN POINTS. Every 100 hours lubricate the door hinges, latches, control linkages and all exposed adjusting threads with OE.

4. LUBRICANTS. The following is a list of lubricants with the Military Symbols and applicable Specification numbers.

OE-MIL-L-2104

OES-MIL-L-10295

Copy of this lubrication order will remain with the equipment at all times; instructions contained herein are mandatory.

BY ORDER OF THE SECRETARY OF THE ARMY

HAROLD K. JOHNSON,  
General, United States Army  
Chief of Staff.

OFFICIAL:

KENNETH G. WICKHAM,  
Major General, United States Army,  
The Adjutant General.

**FOLD**

**FOLD**

LO 5-3431-205-12 DISTRIBUTION: Active Army: USASA (2); ACS1 (1); DCSLOG (1); CNOB (1); TSG (1); CofEngrs (3); CC-E (1); Dir/Trans (1); CofSptS (1); USAMB (1); USAARTYBD (2); USA Armor Bd (2); USAIB (2); USARADBD (2); USAARSWBD (2); USAAVNTBD (2); USCONARC (3); OS Maj Comd (5) except USARJ (1); USASETAF (2); USAMC (1); MDW (1); Armies (2); Corps (2); Div (2); Engr Bde (1) Svc Colleges (2); Br Svc Sch (2); USACDCEC (10); USMA (2); GENDEP (10); Engr Dep (10); USARMA (1); Army Dep (2) except TOAD (3); MOTBA (2); MOTBY (2); MOTKI (2); MOTSU (2); EAMTMTS (1); CAMTMTS (1); WAMTMTS (1); Div Engr (2); Engr Dist (2); USAERDL (3); USAMECOM (46); Engr Con (5); USAREUR Engr Proc Con (2); USAREUR Engr Sup Con Agcy (10); Engr FIDMS (2); Fort Knox FIDMS (10); Pnd Comd, DASA (8); AMS (3); USAREURCOMZ (2); USAC (1); MAAG (1); JBUSMC (1); USARMIS (1); Units org under fol TOE: 5-48 (2); 5-129 (2); 5-237 (5); 5-262 (5); 5-267 (1); 5-278 (5); 5-279 (2); 6-355 (2); 6-356 (2); 9-87 (2); 29-139 (7). NG: None. USAR: Same as active Army except allowance is one (1) copy for each unit. For explanation of abbreviations used, see AR 320-50